

DiALTA Di551 DIGITAL PRINTER/COPIER/SCANNER

Business information is flowing faster – and moving in new directions. That's why you need the award winning Minolta DiALTA Di551. It increases your in-house, on-demand document power with advanced controller-based connected functionality, versatile finishing options, and superior print/copy quality. High-speed 55-ppm output, polymerized toner for superior image detail, fast flexible scanning, booklet-making, tri-folding, even full-bleed 11" x 17" prints or copies on 12" x 18" paper – the Di551 can do it all. And you'll have simple touch-screen operation, 300,000-page monthly duty cycle, and rugged design to help you work faster, maximize uptime and keep pace with increasing document traffic.



MINOLTA DIGITAL DOCUMENT SOLUTIONS

TYPE: DIGITAL PRINTER/COPIER/SCANNER

IMAGING: INTEGRATED DUAL LASER BEAM IMAGING

IMAGE RESOLUTION: 600 x 600 dpi

PRINT/COPY/SCAN SPEED: 55 ppm

PAPER SIZE: UP TO 12" x 18"

PAPER CAPACITY: 2,600 SHEETS (STD) 7,000 SHEETS (MAX)

FIRST COPY: 3.4 SECONDS

MEMORY: 64MB (STD) 320MB (MAX)

FINISHING: SORT/GROUP, STAPLE, HOLE-PUNCH, FOLDING, POST-PROCESS COVER INSERTION, SADDLE-STITCH

Di
551

PRINT COPY SCAN

DiALTA

MINOLTA

▶ **HIGH-SPEED PRODUCTIVITY**

55 PPM PRINT/COPY OUTPUT AT TRUE 600 X 600 DPI LETS YOU PRODUCE FINISHED DOCUMENTS IN-HOUSE AND ON-DEMAND

▶ **TANDEM CAPABILITY**

YOU CAN CONNECT TWO Di551 PRINTER/COPIERS TO DOUBLE YOUR OUTPUT CAPABILITY TO 110 COPIES PER MINUTE

▶ **SUPERIOR IMAGE QUALITY**

NEW POLYMERIZED TONER SHARPENS FINE LINES, SMOOTHES HALFTONES – AND FIVE IMAGE MODES ADJUST REPRODUCTION QUALITY TO SUIT THE NEEDS OF ANY ORIGINAL

▶ **POWERFUL PRINT CONTROL**

ADD THE OPTIONAL FIERY Pi6500e EMBEDDED PRINT CONTROLLER, AND YOU'LL HAVE SECURE PRINTING AND POWERFUL FINISHING CAPABILITIES FROM YOUR DESKTOP

▶ **FLEXIBLE SCANNING CAPABILITIES**

YOU CAN SCAN DOCUMENTS TO E-MAIL, SCAN-TO-FTP FOR DOCUMENT SHARING AND FILING, SCAN-TO-HARD-DRIVE, EVEN SELECT TWAIN SCANNING AND SCANNING TO PDF OR TIFF FORMATS (WITH OPTIONS)

▶ **ADVANCED FINISHING OPTIONS**

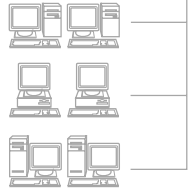
YOU CAN STAPLE IN CORNER, TOP, SIDE OR SADDLE-STITCH POSITION, HOLE-PUNCH AT TOP OR SIDE, HALF-FOLD, Z-FOLD, EVEN TRI-FOLD DOCUMENTS TO PRODUCE DIRECT-MAIL FLYERS – WITH ADDITIONAL CAPABILITIES, YOU CAN PERFORM COVER INSERTION AND POST-PROCESS STAPLING, FOLDING, OR PUNCHING

▶ **HIGH PAPER CAPACITY**

7,000-SHEET MAXIMUM CAPACITY (WITH OPTIONS) LETS YOU WORK LONGER WITHOUT RELOADING; ACCEPTS 16 LB. BOND TO 110 LB. INDEX, IN PAPER SIZES UP TO 12" X 18" TO REPRODUCE TWO-PAGE SPREADS OR FULL-BLEED 11" X 17" ORIGINALS

▶ **SIMPLE TOUCH-SCREEN OPERATION**

BRIGHTER SCREENS WITH SIMPLE TEXT MAKES MENUS EASIER TO USE; CONTROL PANEL TILTS TO REDUCE GLARE AND ACCOMMODATE WHEELCHAIR OPERATION



FLEXIBLE NETWORKING.

ENHANCING THE POWER OF YOUR Di551 WITH THE OPTIONAL FIERY Pi6500e EMBEDDED PRINT CONTROLLER GIVES YOU FLEXIBLE NETWORKING VIA ETHERNET 10/100 BASE-T OR OPTIONAL TOKEN RING INTERFACE, SO YOU CAN SHARE FILES AND DOCUMENTS OVER YOUR LOCAL NETWORK OR VIA THE INTERNET.



ISO9001 | ISO9002 | ISO14001 CERTIFICATION



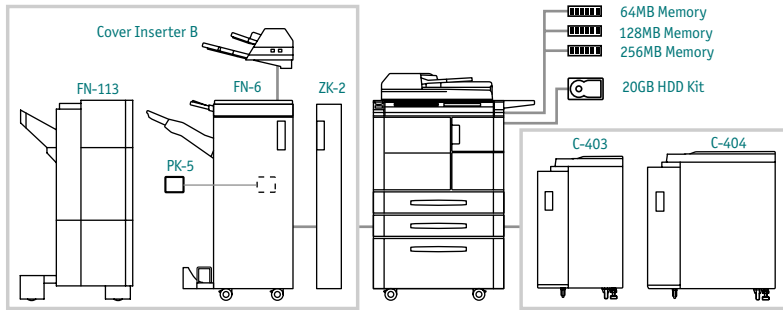
ALWAYS USE MINOLTA GENUINE SUPPLIES

* Industry standard 6% coverage.
**Some functions may require options.

Design & specifications are subject to change without notice.

© 2002 Minolta Corporation. All rights reserved. Reproduction in whole or in part without written permission is prohibited. Minolta, DiALTA, and The essentials of imaging are trademarks of Minolta. Fiery, DocBuilder, Freeform, WebTools, PrintMe, and Fiery logo are trademarks of Electronics for Imaging, Inc. All other brands and product names are registered trademarks or trademarks of their respective owners.

Minolta Corporation • Office Systems Division
101 Williams Drive • Ramsey, NJ 07446
www.minoltausa.com



DiALTA Di551 SPECIFICATIONS

TYPE:
Console Digital Printer/Copier/Scanner

IMAGING SYSTEM:
Integrated Dual Laser Beam Imaging

DEVELOPMENT SYSTEM:
Dry Dual Component with
New Polymerized Toner

PRINT/COPY SPEED:
55 ppm (letter) 8-1/2" x 11" portrait

IMAGE RESOLUTION:
True 600 x 600 dpi

MEMORY:
Standard: 64MB (330 pages*)
Maximum: 320MB (1650 pages*)

WARM-UP TIME:
Approx. 5-1/2 minutes

FIRST COPY:
3.4 seconds or less

COPY QUANTITY:
1 - 9,999 copies
(countdown, interrupt capability)

MAGNIFICATION:
Zoom range: 25 - 400%, .1% increments
Preset reduction: 50%, 65%, 77%, 93%
Preset enlargement: 121%, 129%, 155%, 200%

EXPOSURE MODES:
Manual
Auto (Text/Photo)
Text
Photo
Increased Contrast

HALFTONE REPRODUCTION:
256 gradations

ORIGINAL SIZE:
5-1/2" x 8-1/2" to 11" x 17"

PAPER SIZE:
5-1/2" x 8-1/2" to 12" x 18"
(full bleed 11" x 17")

PAPER WEIGHT:
16 lb. bond to 110 lb. index

PAPER SUPPLY:
500-sheet universal paper drawers (2)
1,500-sheet universal paper drawer (1)
100-sheet manual bypass
4,400 large capacity cabinet, C-403 (optional)
4,000 large capacity cabinet, C-404 (optional)

MAXIMUM PAPER CAPACITY:
7,000 sheets

POWER REQUIREMENTS:
120V, 60Hz, 20A

POWER CONSUMPTION:
2.3 kW (max.)

DIMENSIONS (WxDxH):
69" x 30" x 45" (with ADF, Finisher,
LCC paper cabinet)

WEIGHT:
448 lbs.

OPTIONS:
Pi6500e Embedded Print Controller
(Includes PCL6)
Pi6500e Options:
PS3 Kit
PS3+Scan+HDD (Scan to HDD,
E-Mail, and FTP)
Token Ring NIC
FN-113 Finisher (sort, staple, selectable
2-hole/3-hole punch)
FN-6 Booklet Finisher (sort, group, staple,
half-fold, tri-fold)
PK-5 Punch Kit (adds hole-punch
capability for FN-6)
ZK-2 Z-Fold/Punch Kit (for FN-6)
Cover Inserter (for FN-6)
(post-process, dual cover insertion)
C-403 Large Capacity Paper Cassette
(8-1/2" x 11" portrait: 4,400 sheets)
C-404 Large Capacity Paper Cassette
(up to 12" x 18": 4,000 sheets)
64MB Memory Upgrade (M64-1)
128MB Memory Upgrade (M128-1)
256MB Memory Upgrade (M256-1)

AVAILABLE FUNCTIONS:**
Auto Document Feeding
Auto Duplex (stackless)
Auto Layout (centering)
Auto Low Power, Reset, Shut-Off
Auto/Text/Photo/Increase Contrast
Exposure Modes
Auto Tray Switching
Book Copy
Booklet Making
Border Erase (frame, fold, frame & fold)
Electronic Copy Monitor (1,000 accounts)
Energy Save Mode
Face-Up or Face-Down Output
Folding (half-fold, Z-fold, tri-fold)
Grouping
Hole-Punching
Image Insert
(overlay, with memory capability)
Image Rotation
Image Shift
Intelligent Job Building
Interrupt (Pause)
Job Memory, Recall, Reserve (30 Jobs)
Job Programming
Job Status
Mixed Original Detection
Negative Image Capability
Non-Image Area Erase
Post-Process Cover Insertion
Proof Copy
Rotation Exit (horizontal/vertical)
Saddle-Stitching (stapling)
Scanning (to e-mail, FTP, hard disk drive,
TWAIN scan)
Sorting
Stamping (continuous)
Stapling (8-position)
Storyboarding (2-in-1, 4-in-1, 8-in-1)
Tabs (from tabbed originals to tabbed sheets)
Tandem Copy Capability
Transparency Interleaving
(blank or copied sheets)
Weekly Timer
Zoom

PRINTme™ NETWORKS

PRINTME CONVENIENCE.
WITH PRINTME FUNCTIONS INTEGRATED INTO YOUR Pi6500e, YOU HAVE THE FREEDOM TO ACCESS AND PRINT E-MAIL MESSAGES AND INTERNET DOCUMENTS FROM ANY MOBILE DEVICE — WITH SUPPORT FOR WAP (WIRELESS APPLICATION PROTOCOL) AND c-HTML (COMPACT HTML) STANDARDS FOR SECURE ACCESS TO CELL PHONES, PAGERS AND OTHER HANDHELD DEVICES.



WHEELCHAIR ACCESSIBILITY.

LOW PAPER OUTPUT, EASY ACCESS TO PAPER DRAWERS, AND ANGLED TOUCH-SCREEN HELP ENABLE WHEELCHAIR-BASED OPERATION.